



MICHIGAN PNEUMATIC TOOL

Industrial Air Tools



Serving All Industries

- Petro Chemical
- Construction
- Demolition
- Assembly
- Rental

TOOL QUALIFIER

1-800-521-8104 • www.michiganpneumatic.com

THE QUESTIONS AND SPECIFICATIONS YOU NEED TO KNOW

Index

Chipping Hammers	1
Clay Diggers	2
Drills (Large)	3
Drills (Corner)	4
Drills (Small)	5
Die Grinders	6
Grinders	7
Hoists	8
Impact Wrenches	9
Nutrunners	10
Pavement Breakers	11
Pulsus Tools	12
Rivet Busters	13
Riveters (Compression)	14
Riveters (Pull, Pop, Blind)	15
Rivet-Nut Tools	16
Rock Drills	17
Sanders	18
Scaling Hammers / Needle Scalars	19
Screwdrivers	20
Tuggers / Winches	21

Purpose

This booklet is designed to provide customers, sales and service team members with the questions they need in order to prepare an effective quote, or as a guide in selecting the right tool and accessories for the job.

Use the forms found in this booklet as a guideline and any one of our experienced sales or service team members will be happy to help you find the tool you're looking for.

MPT is dedicated to providing our customers with the highest level of expertise and customer service anywhere in the U.S. Whether you are searching for that one of a kind tool, or just need some help deciding which of our pavement breakers are going to get the job done, call on MPT.

Michigan Pneumatic Tool
Romulus, MI

1-800-521-8104

mpt@michiganpneumatic.com

www.michiganpneumatic.com

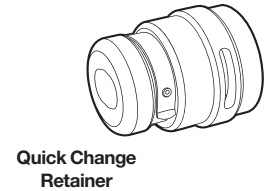
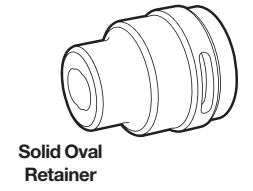
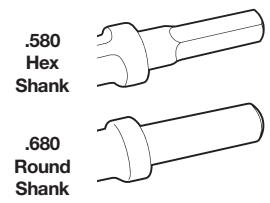
Fax (313) 933-0440

Pneumatic Tool Qualification Questionnaire

Company Name: _____ Current Customer New Customer
 Contact: _____ Phone: _____ Distributor End User

For a **Chipping Hammer**, you need to know:

1. New Rebuilt
2. Length of stroke 1" 2" 3" 4"
3. Gooseneck / 4-Bolt D-Handle (Inside Lever / Outside Lever) _____
4. Shank: Hex (.580) / Round (.680) _____
5. Retainer Type (Solid Oval / Solid Round / Quick Change) _____
6. Describe application and frequency of use _____
7. What tool does the customer currently use? _____
8. Preferred brand / Model No. _____

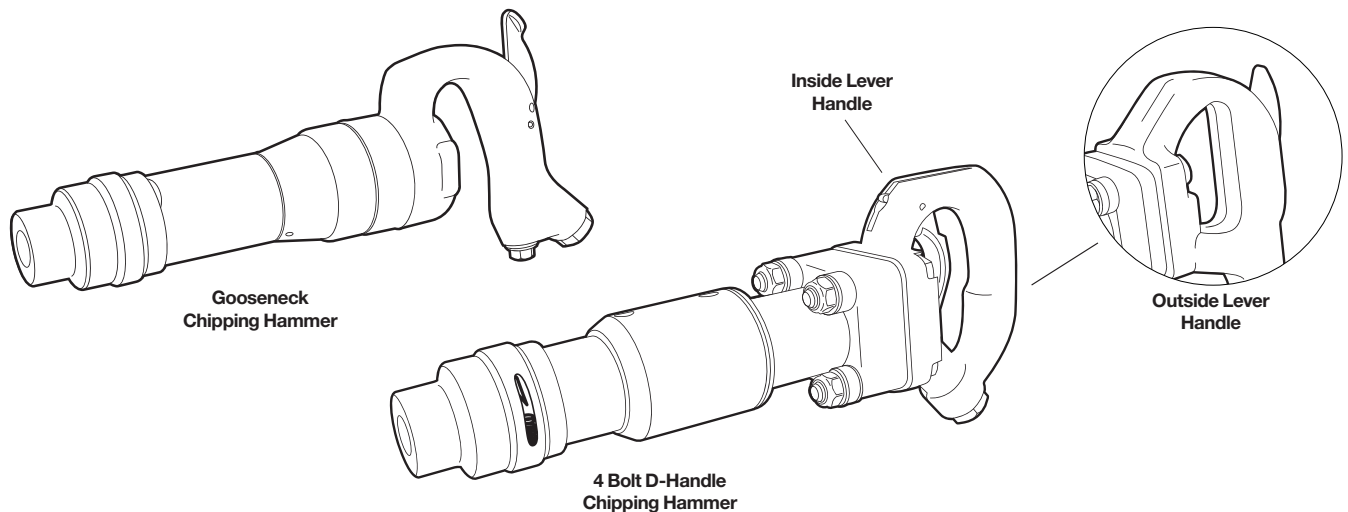


Suggested Accessories:

- OIL-085 Air Tool Oil
- O-R Air Line Lubricator
- Air Hoses
- L-1-WHIP or MP-4HW Whip Hose Assembly
- L-3-WHIP or MP-4HW-0.500 Whip Hose Assembly
- 1194-2 Retainer Spring
- Chisels
- SLC1 Safety Lock Cables
- AC1 Safety Lock Clips
- S7F Single Moisture Separator
- Would you like a parts print with the tool?

Notes: _____

Suggested tool: _____



Pneumatic Tool Qualification Questionnaire

Company Name: _____ Current Customer New Customer
 Contact: _____ Phone: _____ Distributor End User

For a **Clay Digger**, you need to know:

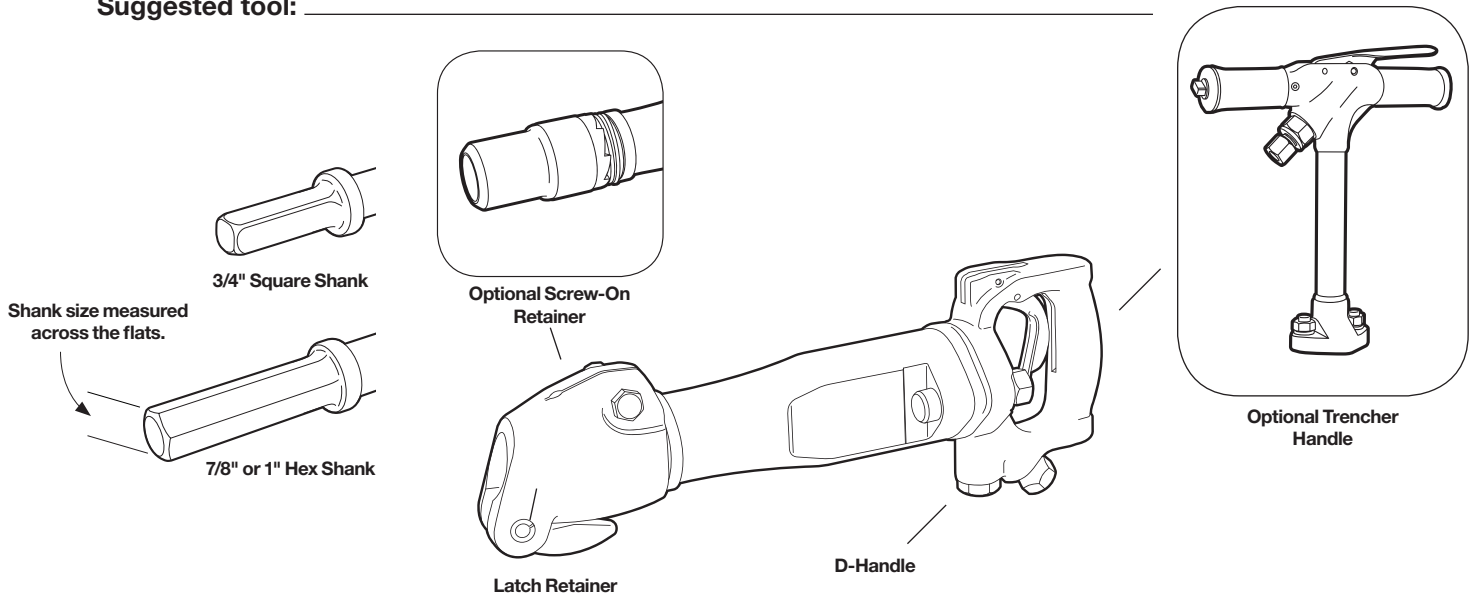
1. New Rebuilt
2. Weight Class (20 lb / 30 lb) _____
3. D-Handle / Trencher Handle _____
4. Shank Size (3/4" x 2-3/4" Sq.; 7/8" x 3-1/4" Hex; 1" x 4-1/4" Hex) _____
5. Type of Retainer (Screw-On / Latch Type) _____
6. Chisels / Clay Spades _____
7. Describe Application _____
8. What tool does the customer currently use? _____
9. Preferred brand / Model No. _____

Suggested Accessories:

- OIL-085 Air Tool Oil
- 1-R Air Line Lubricator
- Air Hoses
- Whip Hose
- Retainer Parts If Latch Type
- Spade Bits / Chisels
- Retainer Parts If Screw-on Type
- SLC1 Safety Lock Cables / Whip Checks / AC1 Safety Lock Clips
- S7F Single Moisture Separator
- Would you like a parts print with the tool?

Notes: _____

Suggested tool: _____

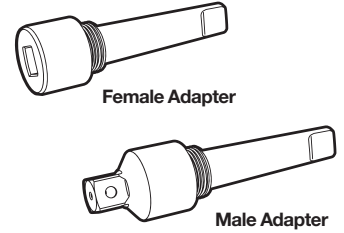


Pneumatic Tool Qualification Questionnaire

Company Name: _____ Current Customer New Customer
 Contact: _____ Phone: _____ Distributor End User

For Drills (Large), you need to know:

1. New Rebuilt
2. Type of Chuck:
 Wood Borer (1/2", 5/8", 3/4")
 Morse Taper (1MT, 2MT, 3MT, 4MT, 5MT)
 Square Drive Adapter: Male or Female (1/2", 5/8", 3/4", 1", 1-1/4", 1-1/2")
 Chuck Size: (1/2", 5/8", 3/4")
3. RPM needed *(based on drill bit diameter & material)* _____
4. Maximum or largest size bit / reamer used _____
5. Reversible / Non-Reversible _____
6. Type of Throttle (Roll / Lever / Remote Control) _____
7. Horsepower _____
8. Describe application and frequency of use _____
9. What tool does the customer currently use? _____
10. Preferred brand / Model No. _____

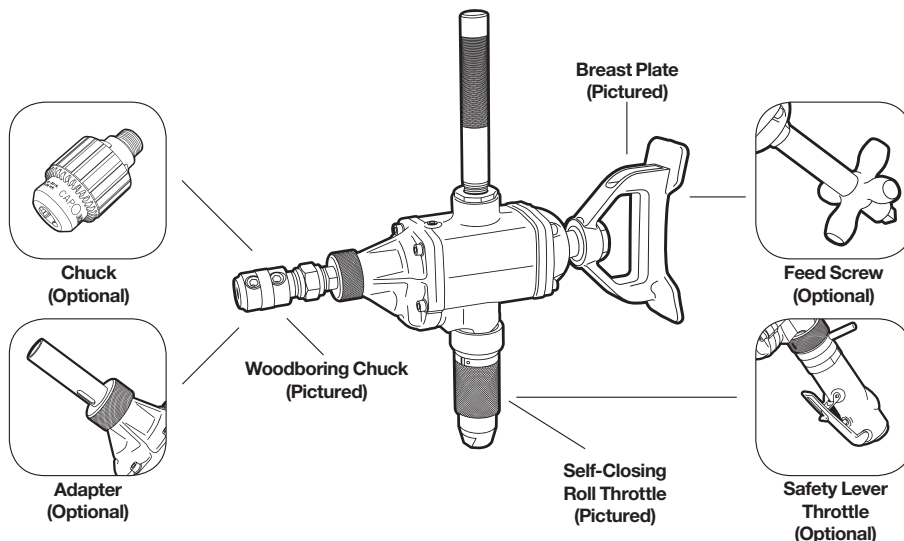


Suggested Accessories:

- OIL-085 Air Tool Oil
- 1-R Air Line Lubricator
- Air Hose
- Whip Hose
- Plugs / Couplers / CP Fittings
- AC1 Safety Lock Clips
- S7F Single Moisture Separator
- Would you like a parts print with the tool?

Notes: _____

Suggested tool: _____



Pneumatic Tool Qualification Questionnaire

Company Name: _____ Current Customer New Customer
Contact: _____ Phone: _____ Distributor End User

For **Drills (Corner)**, you need to know:

1. New Rebuilt
2. Morse Taper Size (1MT, 2MT, 3MT, 4MT, 5MT) or Chuck Size _____
3. RPM needed (*based on drill bit diameter & material*) _____
4. Maximum or largest size bit / reamer used _____
5. Reversible or Non-Reversible _____
6. Horsepower _____
7. Describe application and frequency of use _____
8. What tool does the customer currently use? _____
9. Preferred brand / Model No. _____

Suggested Accessories:

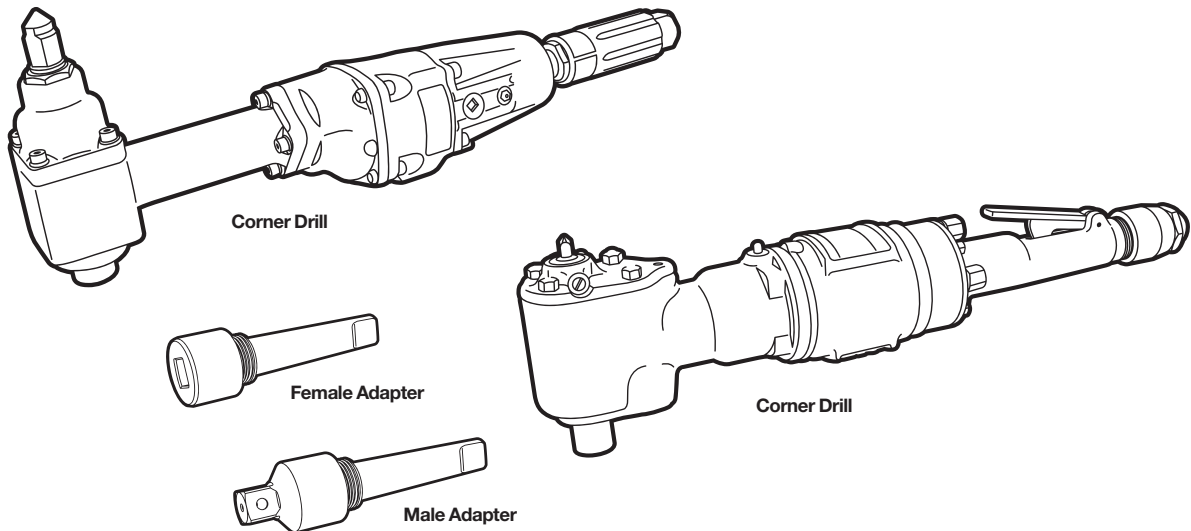
- OIL-085 Air Tool Oil
- 1-R Air Line Lubricator
- Air Hose
- Whip Hose
- Plugs / Couplers / CP Fittings
- S7F Single Moisture Separator
- AC1 Safety Lock Clips
- Would you like a parts print with the tool?

Notes: _____

Suggested tool: _____

FEATURE:

Integral feed screw to drive the bit into the material, as well as to assist in removal of broken drill bits.



Pneumatic Tool Qualification Questionnaire

Company Name: _____ Current Customer New Customer
Contact: _____ Phone: _____ Distributor End User

For **Drills (Small)**, you need to know:

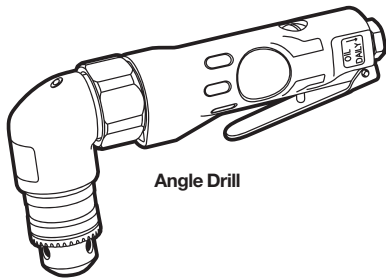
1. New Rebuilt
2. Configuration (Pistol / Angle / Inline) _____
3. Chuck Capacity _____
4. RPM needed (*based on drill bit diameter & material*) _____
5. Reversible / Non-Reversible _____
6. Horsepower _____
7. Describe application and frequency of use _____
8. What tool does the customer currently use? _____
9. Preferred brand / Model No. _____

Suggested Accessories:

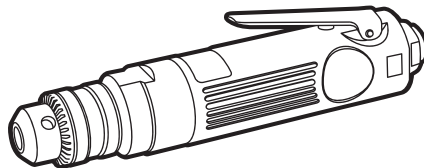
- OIL-085 Air Tool Oil
- Mini-Lube Oiler
- Air Hose
- Small Whip Hose
- 360 Degree Swivel
- Filter / Regulator / Lubricator
- Plugs / Couplers / CP Fittings
- 029 Jobber Twist Drill Set
- QC-50 1/4" Quick Change Chuck
- Replacement Chuck
- Would you like a parts print with the tool?

Notes: _____

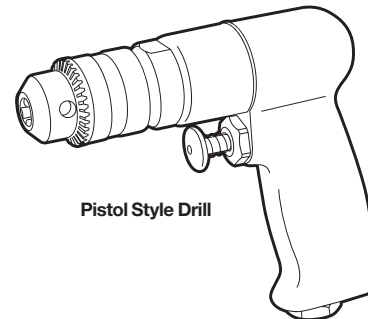
Suggested tool: _____



Angle Drill



Inline Drill



Pistol Style Drill

Pneumatic Tool Qualification Questionnaire

Company Name: _____ Current Customer New Customer
 Contact: _____ Phone: _____ Distributor End User

For a **Die Grinder**, you need to know:

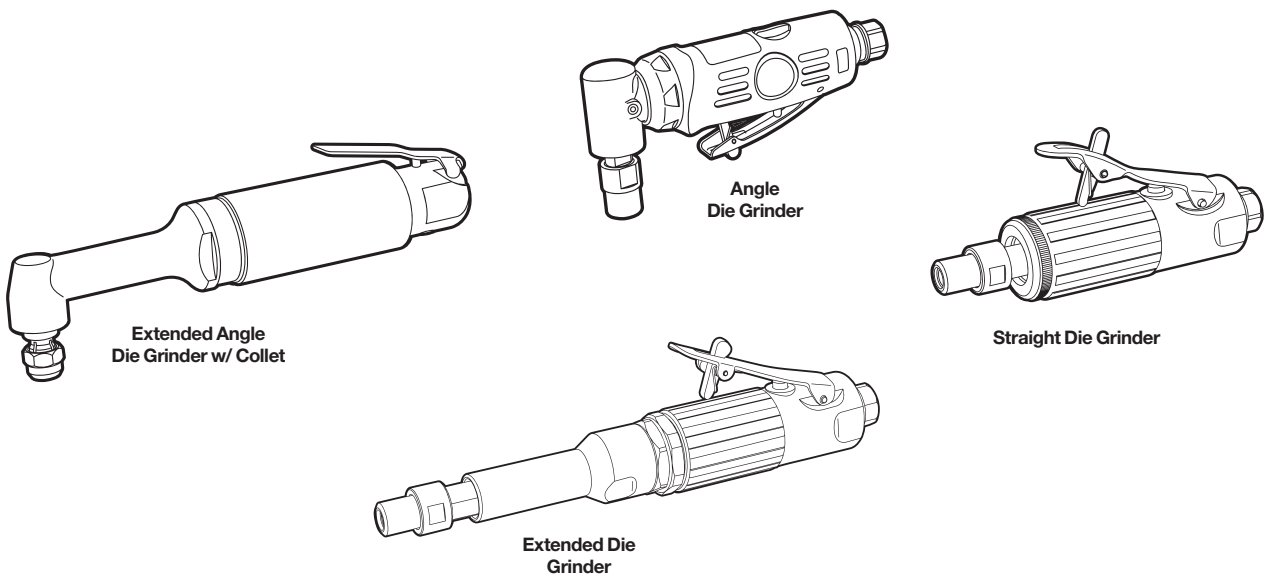
1. New Rebuilt
2. Type of Grinder (Straight / Angle / Extended / Extended Angle) _____
3. Collet Type (2 Piece / 3 Piece / 4 Piece) _____
4. Collet Size (1/8", 3/16", 6mm, 1/4", 5/16", 3/8") _____
5. RPM _____
6. Preferred Horsepower _____
7. Accessory used in tool / size _____
8. Describe application and frequency of use _____
9. What tool does the customer currently use? _____
10. Preferred brand / Model No. _____

Suggested Accessories:

- OIL-085 Air Tool Oil
- Mini-Lube Oiler
- Small Whip Hose
- Filter / Regulator / Lubricator
- Collets / Nuts
- Would you like a parts print with the tool?

Notes: _____

Suggested tool: _____



Pneumatic Tool Qualification Questionnaire

Company Name: _____ Current Customer New Customer
 Contact: _____ Phone: _____ Distributor End User

For a **Grinder**, you need to know:

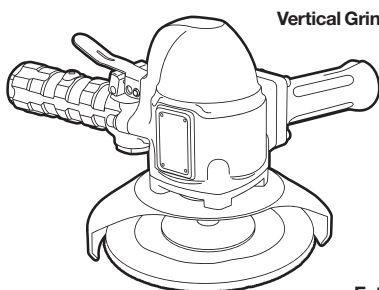
1. New Rebuilt
2. Type of Grinder (Vertical / Straight / Angle) _____
3. Spindle Thread Size _____
4. Size / Type of Grinding Wheel _____
 - Type 27 (Thread or Through Hole)
 - Type 1 (Thread or Through Hole)
 - Type 11 (Thread or Through Hole)
 - Cone
5. RPM of Grinder Wheel _____
6. Describe application and frequency of use _____
7. Preferred horsepower _____
8. What tool does the customer currently use? _____
9. Preferred brand / Model No. _____

Suggested Accessories:

- OIL-085 Air Tool Oil
- O-R Air Line Lubricator
- Air Hose
- Whip Hose
- Grinding Wheels
- Wheel Guard
- Wrenches & Retaining Nuts
- Plugs / Couplers / CP Fittings
- SLC1 Safety Lock Cables
- S7F Single Moisture Separator
- Would you like a parts print with the tool?

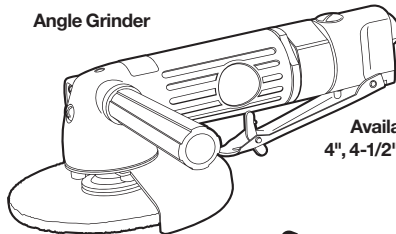
Notes: _____

Suggested tool: _____



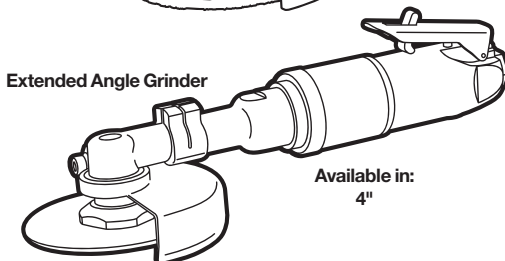
Vertical Grinder

Available in:
6" cup, 7", 9"



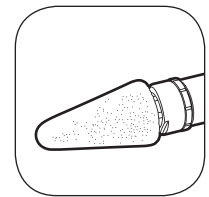
Angle Grinder

Available in:
4", 4-1/2", 5", 7", 9"

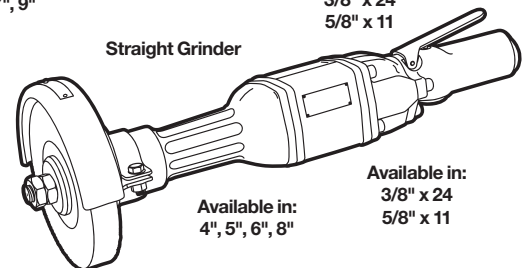


Extended Angle Grinder

Available in:
4"



Cone Wheel
Available in:
3/8" x 24
5/8" x 11



Straight Grinder

Available in:
4", 5", 6", 8"
3/8" x 24
5/8" x 11

Pneumatic Tool Qualification Questionnaire

Company Name: _____ Current Customer New Customer
 Contact: _____ Phone: _____ Distributor End User

For a **Hoist**, you need to know:

- New Rebuilt
- Capacity of Hoist (1/4 ton, 1/2 ton, 1 ton, 2 ton, etc.) _____
- Type of Chain _____

DEFINITIONS:

Link Chain = Similar to log chain
 Roller Chain = Similar to bicycle chain
 Cable Hoist = Similar to steel cable (Rebuilt Ingersoll-Rand only)

- Distance of lift in feet _____

KEEP IN MIND:

Most 1 ton, 2 ton & 3 ton units require double the length of chain to create lift

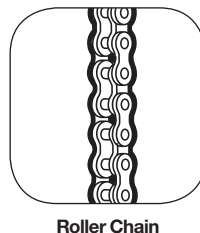
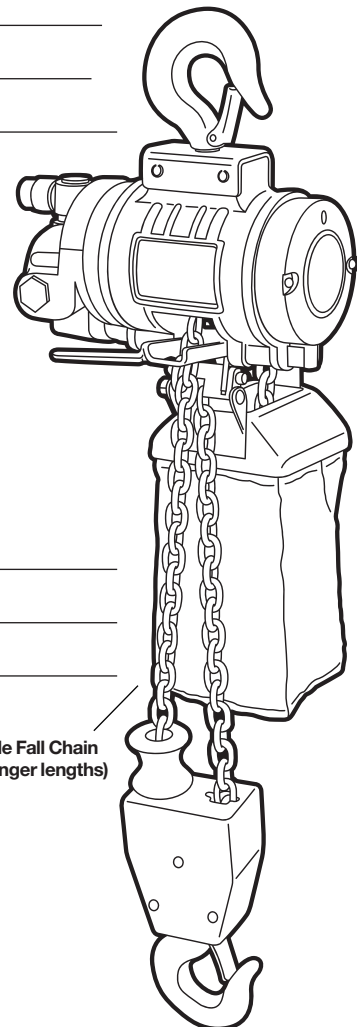
- Type of Control (Rope / Pendant) _____
- Top Hook / Trolley Mount / Tractor Mount _____
- Chain Container (Y / N) _____
- Chain Container Material (Canvas / Metal) _____
- Describe application _____
- What hoist does the customer currently use? _____
- Preferred brand / Model No. _____

Suggested Accessories:

- OIL-085 Air Tool Oil
- Air Hose
- Filter / Regulator / Lubricator
- S7F Single Moisture Separator
- Trolley
- Beam Clamp
- Would you like a parts print with the tool?

Notes: _____

Suggested tool: _____



Roller Chain

Pneumatic Tool Qualification Questionnaire

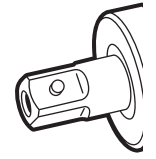
Company Name: _____ Current Customer New Customer
 Contact: _____ Phone: _____ Distributor End User

For an **Impact Wrench**, you need to know:

1. New Rebuilt
2. Configuration (Pistol / Angle / Straight) _____
3. Handle (Inside Lever / Outside Lever) _____
4. Anvil / Square / Spline / Other Drive Size _____
5. Retainer Type (Friction Ring / Pin-Type / Through Hole) _____
6. Torque Range _____
7. Torque specification of the fastener or application _____
8. Automotive / Industrial _____
9. Describe application and frequency of use _____
10. What tool does the customer currently use? _____
11. Preferred brand / Model No. _____



Friction Ring Type Anvil



Pin Type Anvil



Through Hole Type Anvil

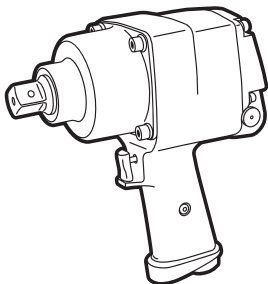
Suggested Accessories:

- OIL-085 Air Tool Oil
- 0-R, 1-R, 2-R, 2A-R, 3-R Air Line Lubricators
- Air Hoses: 1/2", 3/4", 1"
- Whip Hose
- 360 Degree Swivel
- Impact Sockets
- Socket Retainers
- S7F Single Moisture Separator
- SLC1 Safety Lock Cables
- Would you like a parts print with the tool?

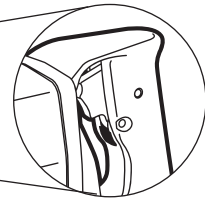
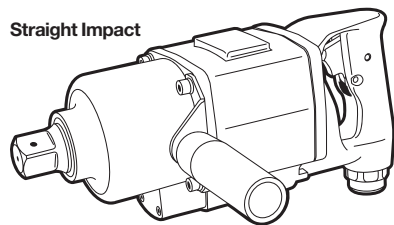
Notes: _____

Suggested tool: _____

Pistol Grip Impact

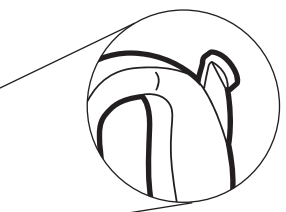
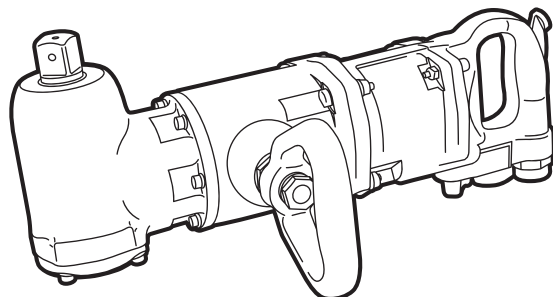


Straight Impact



Inside Lever Handle

Angle Impact



Outside Lever Handle

Pneumatic Tool Qualification Questionnaire

Company Name: _____ **Current Customer** **New Customer**
Contact: _____ **Phone:** _____ **Distributor** **End User**

For a **Nutrunner**, you need to know:

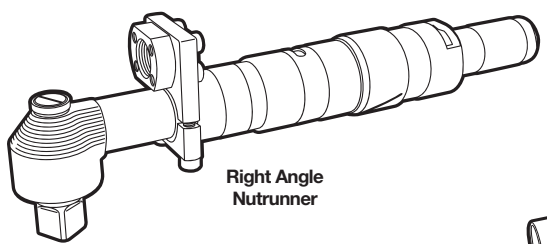
1. New Rebuilt
2. Angle / Pulse / Reaction Bar / Specialty _____
3. Square Drive Size _____
4. Torque specification of the fastener or application _____
5. RPM needed _____
6. Reversible / Non-Reversible _____
7. Stall / Clecomatic Clutch / Torque Control / Shut-Off _____
8. Fastener or application information _____
9. Describe application and frequency of use _____
10. What tool does the customer currently use? _____
11. Preferred brand / Model No. _____

Suggested Accessories:

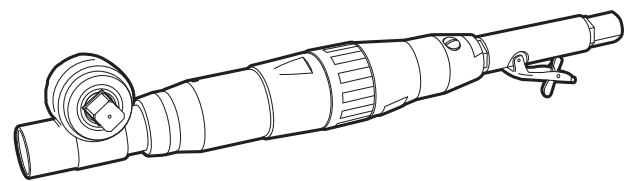
- OIL-085 Air Tool Oil
- 1-R Air Line Lubricator
- Air Hose
- Whip Hose
- 360 Degree Swivel
- Sockets
- Socket Retainers
- Plugs / Couplers / CP Fittings
- Would you like a parts print for the tool?

Notes: _____

Suggested tool: _____



Right Angle Nutrunner



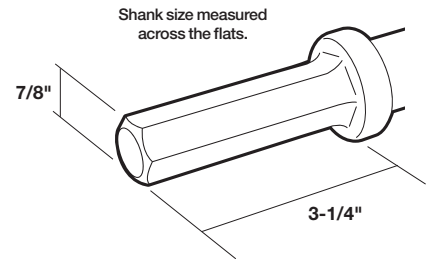
Inline Nutrunner

Pneumatic Tool Qualification Questionnaire

Company Name: _____ Current Customer New Customer
 Contact: _____ Phone: _____ Distributor End User

For a **Pavement Breaker**, you need to know:

1. New Rebuilt
2. Select Pound Class and Shank Size:
 - 30 lb (7/8" x 3-1/4"; 1" x 4-1/4")
 - 40 lb (1" x 4-1/4")
 - 60 lb (1-1/8" x 6"; 1-1/4" x 6")
 - 90 lb (1-1/8" x 6"; 1-1/4" x 6")
3. What model does the customer currently use? _____
4. Preferred brand / Model No. _____

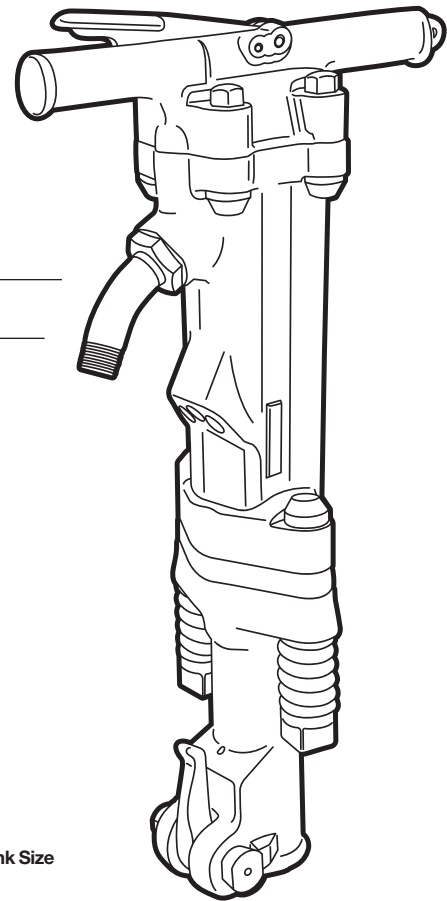


Suggested Accessories:

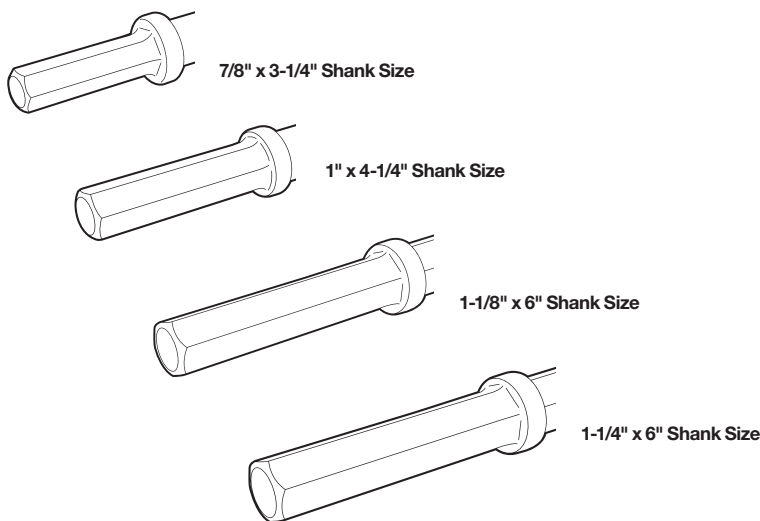
- OIL-085 Air Tool Oil
- 3-R Air Line Lubricator w/ CP Fittings
- AH-5 50ft 3/4" Air Hose
- Chisels
- Plugs / Couplers / CP Fittings
- SLC1 Safety Lock Cables
- AC1 Safety Lock Clips
- S7F Single Moisture Separator
- Air Manifold / Tank
- Would you like a parts print with the tool?

Notes: _____

Suggested tool: _____



90 lb. Pavement Breaker



Pneumatic Tool Qualification Questionnaire

Company Name: _____ Current Customer New Customer
Contact: _____ Phone: _____ Distributor End User

For a **Pulsus Tool**, you need to know:

1. New Rebuilt
2. Configuration (Pistol / Inline) _____
3. Type of joint being assembled (Hard / Medium / Soft)¹ _____
4. Size of Square Drive or 1/4" hex _____
5. Shut-Off / Non Shut-Off _____
6. Torque specification of the fastener or application _____
7. Describe application _____
8. What tool does the customer currently use? _____
9. Preferred brand / Model No. _____

Suggested Accessories:

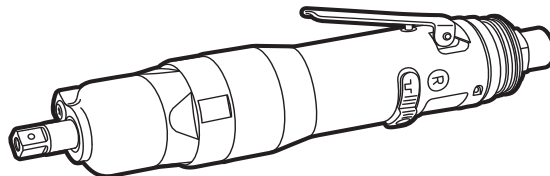
- OIL-085 Air Tool Oil
- Air Line Lubricator
- Air Hose
- Whip Hose
- Impact Sockets
- Plugs / Couplers / CP Fittings
- S7F Single Moisture Separator
- Would you like a parts print with the tool?

Notes: _____

Suggested tool: _____

¹ DEFINITIONS:

- Hard Joints are defined as a joint in which it takes the fastener less than 30° turn to get the fastener from fitting snugly to reaching torque.
- Medium Joints are defined as a joint in which it takes anywhere from 30° to 720° turn to get the fastener from fitting snugly to reaching torque.
- Soft Joints are defined as a joint in which it takes the fastener more than a 720° turn, or two full rotations, to get the fastener from fitting snugly to reaching torque.



Inline Pulsus Tool



Pistol Style Pulsus Tool

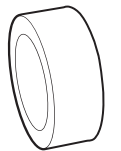
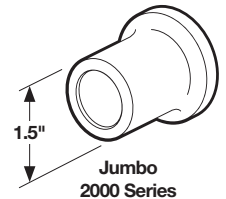
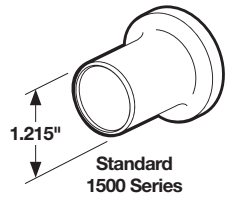
Pneumatic Tool Qualification Questionnaire

Company Name: _____ Current Customer New Customer
 Contact: _____ Phone: _____ Distributor End User

For a **Rivet Buster**, you need to know:

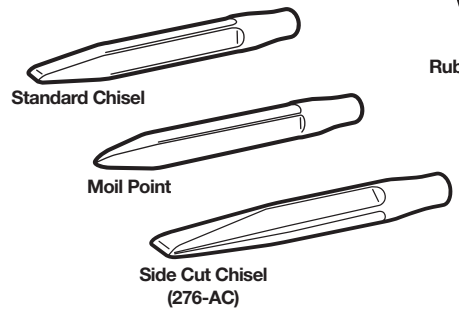
1. New Rebuilt
2. Length of Stroke (4", 6", 8", 9", 11", 14") _____
3. D-Handle / Standard Open Gooseneck Handle / T-Handle _____
4. Standard or Jumbo Shank Accessories _____
5. Removable / Non Removable Piston _____
6. Are you doing any riveting? If so, do you need Rivet Sets? *Must use standard shank tool.
7. Are you removing rivets? If so, try a 276-AC Side Cut Chisel.
8. Weight (*if known*) _____
9. Describe application _____
10. What tool does the customer currently use? _____
11. Preferred brand / Model No. _____

Rivet Buster Sleeves



Suggested Accessories:

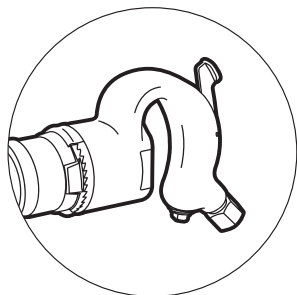
- OIL-085 Air Tool Oil
- Air Line Lubricator
- Air Hose: 1/2", 3/4", 1"
- L-3-WHIP Whip Hose
- MP-4HW-0.500 Whip Hose Assembly
- Chisels
- Plugs / Couplers / CP Fittings
- Upper & Lower Sleeves / Bumpers / Springs
- S7F Single Moisture Separator
- Would you like a parts print with the tool?



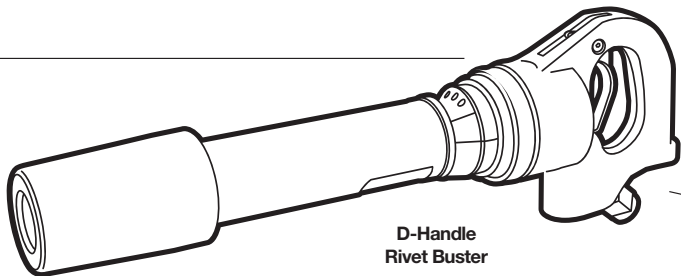
Note: The 276-AC is used for cutting the heads off of rivets.

Notes: _____

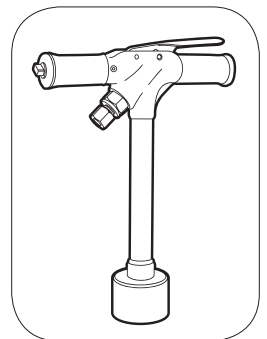
Suggested tool: _____



Gooseneck Handle



D-Handle Rivet Buster



T-Handle

Pneumatic Tool Qualification Questionnaire

Company Name: _____ Current Customer New Customer
Contact: _____ Phone: _____ Distributor End User

For a **Compression Riveter**, you need to know:

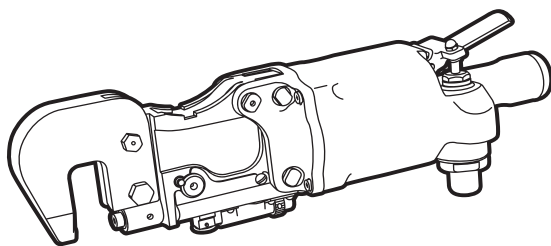
1. New Rebuilt
2. Type of Riveter (Alligator / C-Type) _____
3. Single Cylinder or Tandem _____
4. Reach & Gap (if C-Type) / Reach only (if Alligator) _____
5. Type of Rivet (Solid / Semi-Tubular) _____
6. Material of Rivet (Steel / Aluminum) _____
7. Diameter of Rivet (1/8", 5/32", 3/16", 7/32", 1/4", etc.) _____
8. Type of Head (Brazier / Mod. Brazier / Universal / Oval / Domed) _____
9. Mfg. part number of rivets (if available) _____
10. Do you have samples of rivets and materials to be riveted? _____
11. Application photo or design specs. _____
12. Overall length of rivet _____
13. Length under the head _____
14. Crushed height _____
15. Combined material thickness _____
16. Describe application _____
17. What tool does the customer currently use? _____
18. Preferred brand / Model No. _____

Suggested Accessories:

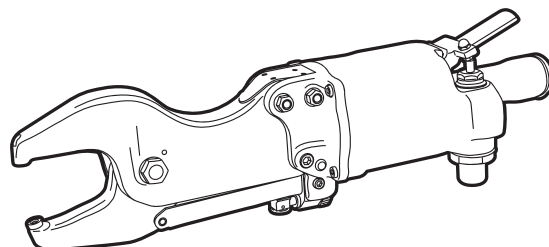
- Air Hose: 3/8" & 1/2"
- Whip Hose
- Filter / Regulator / Lubricator
- Balancers / Tool Hanger
- Rivet Sets / Shims
- Would you like a parts print with the tool?

Notes: _____

Suggested tool: _____



C-Type
Compression Riveter



Alligator Type
Compression Riveter

Pneumatic Tool Qualification Questionnaire

Company Name: _____ Current Customer New Customer
 Contact: _____ Phone: _____ Distributor End User

For a **Pull-Type**, or **Blind Type Riveters**, you need to know:

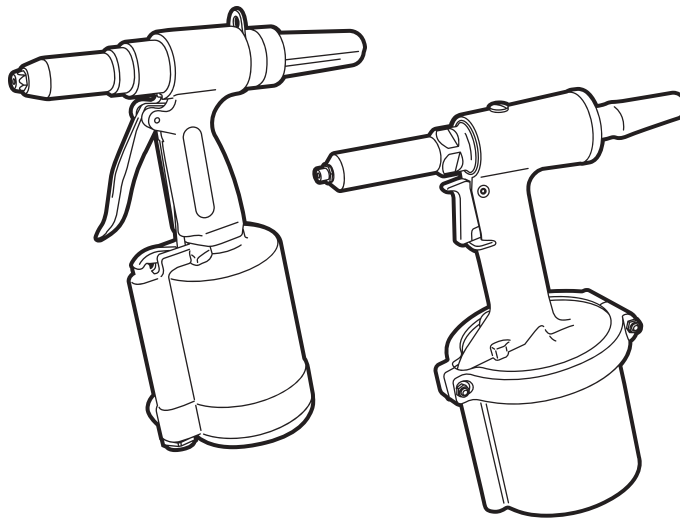
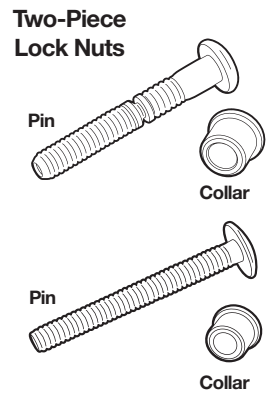
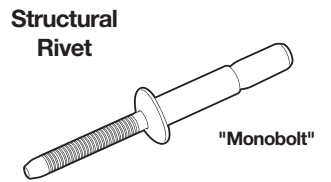
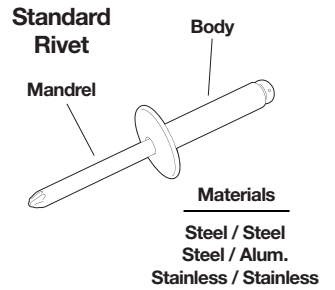
1. New Rebuilt
2. Diameter of Rivet (Size of hole drilled for rivet / Material thickness) _____
3. Rivet Material (*i.e. Body/Mandrel Material*) Steel/Steel; Alum./Steel; Stainless/Stainless _____
4. Type of Rivet (Magnagrip / Monobolt / Blind) _____
5. Mandrel Collection System (Y / N) _____
6. Stroke Length (*if known*) _____
7. Pounds of Pulling Force (*if known*) _____
8. Describe application and frequency of use _____
9. What tool does the customer currently use? _____
10. Preferred brand / Model No. _____

Suggested Accessories:

- Air Hose: 1/4" & 3/8"
- Filter / Regulator / Lubricator
- Jaw Lube
- Extra Jaws
- Plugs / Couplers / CP Fittings
- Would you like a parts print with the tool?

Notes: _____

Suggested Tool: _____



Air/Hydraulic Riveters

Pneumatic Tool Qualification Questionnaire

Company Name: _____ **Current Customer** **New Customer**
Contact: _____ **Phone:** _____ **Distributor** **End User**

For a **Rivet-Nut Tool**, you need to know:

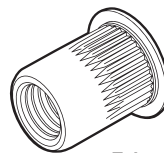
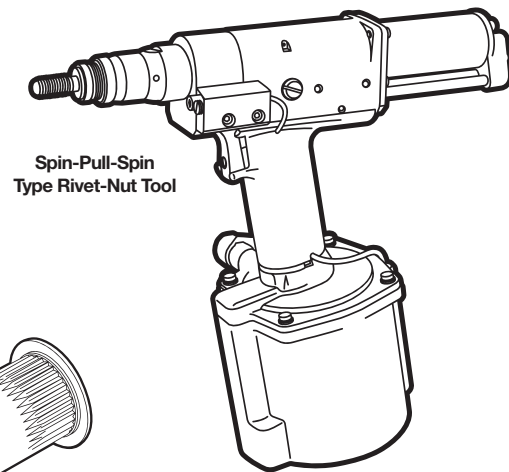
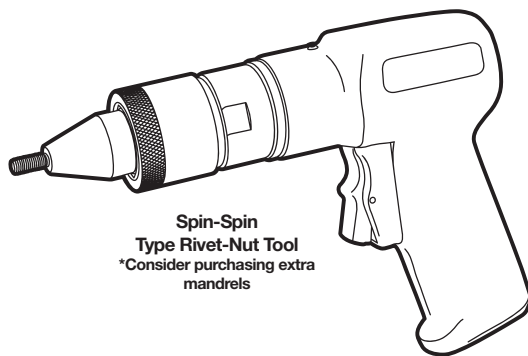
1. New Rebuilt
2. Pistol / Inline / Pneudraulic _____
3. Configuration (Spin - Spin / Spin - Pull - Spin) _____
4. Thread Size of Rivet Nut _____
5. Material Rivet Nut is made of (Aluminum / Steel / Brass / Stainless) _____
6. Description of Rivet Nut (Thinwall / Thickwall / Plusnut / Hex Body) _____
7. Number of Rivet Nuts being set per shift / day _____
8. Describe application and frequency of use _____
9. Preferred brand / Model No. _____

Suggested Accessories:

- OIL-085 Air Tool Oil
- Air Hose: 1/4" & 3/8"
- Whip Hose
- 360 Degree Swivel
- Filter / Regulator / Lubricator
- Plugs / Couplers / CP Fittings
- Extra Mandrels (Recommended for Spin-Spin type)
- Would you like a parts print with the tool?

Notes: _____

Suggested tool: _____

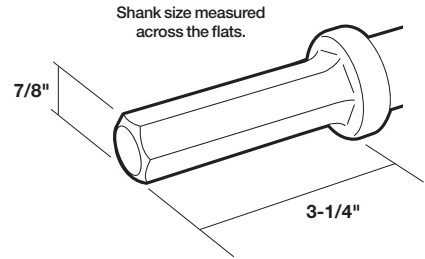


Pneumatic Tool Qualification Questionnaire

Company Name: _____ Current Customer New Customer
 Contact: _____ Phone: _____ Distributor End User

For a **Rock Drill**, you need to know:

1. New Rebuilt
2. Select Pound Class and Shank Size:
 - 9 lb (9/16" Hex or 3/4" Round)
 - 15 lb (7/8" x 3-1/4")
 - 22 lb / 30 lb (7/8" x 3-1/4"; 7/8" x 4-1/4")
 - 40 lb / 50 lb / 60 lb (7/8" x 3-1/4"; 7/8" x 4-1/4"; 1" x 4-1/4")
3. Diameter and depth of hole to be drilled _____
4. Materials being drilled _____
5. What tool does the customer currently use? _____
6. Preferred brand / Model No. _____

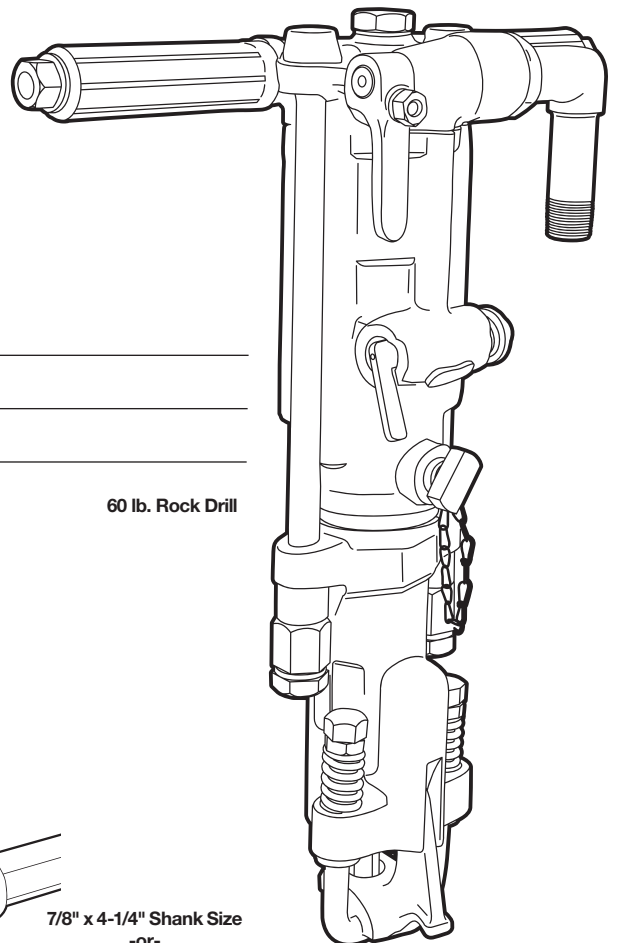


Suggested Accessories:

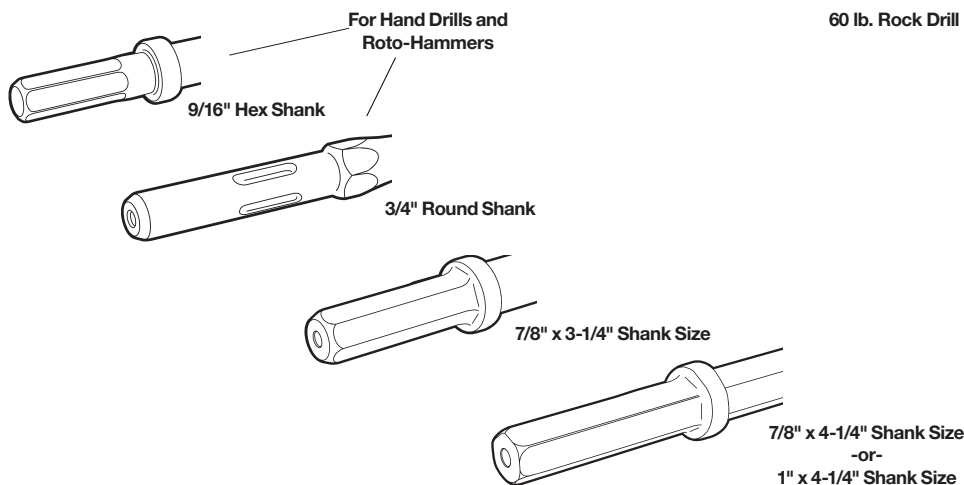
- OIL-085 Air Tool Oil
- 3-R Inline Lubricator w/ CP Fittings
- AH-5 Air Hose
- Whip Hose
- Rock Drill Steels
- Threaded Rock Bits - Steel
- Carbide Tipped Drill Bits
- S7F Single Moisture Separator
- AC1 Safety Lock Clips
- Would you like a parts print with the tool?

Notes: _____

Suggested tool: _____



60 lb. Rock Drill



Pneumatic Tool Qualification Questionnaire

Company Name: _____ Current Customer New Customer
Contact: _____ Phone: _____ Distributor End User

For a **Sander**, you need to know:

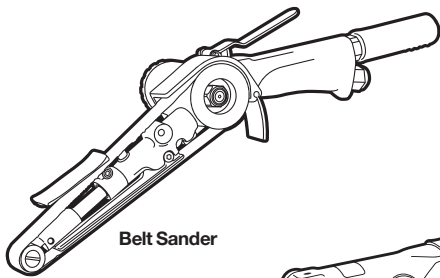
1. New Rebuilt
2. Type of Sander:
(Angle / Pistol Style / Palm / Belt (3/8" x 13"; 3/4" x 20-1/2"; 1-3/16" x 21"))
3. Size of Sander Pad (4", 5", 6", 7") _____
4. RPM of Sander _____
5. Description of application _____
6. Preferred Horsepower _____
7. Spindle Thread _____
8. Frequency of use or special considerations _____
9. What tool does the customer currently use? _____
10. Preferred brand / Model No. _____

Suggested Accessories:

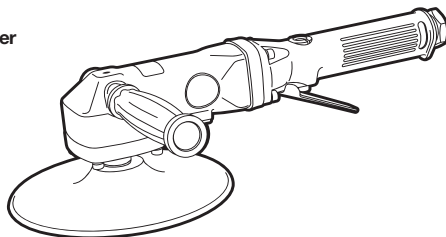
- OIL-085 Air Tool Oil
- O-R Inline Lubricator
- Mini-Lube Oilers
- Air Hose
- Small Whip Hose
- Filter / Regulator / Lubricator
- Replacement Backing Pads / Fiber Discs
- Replacement Sanding Belts
- Plugs / Couplers / CP Fittings
- Would you like a parts print with the tool?

Notes: _____

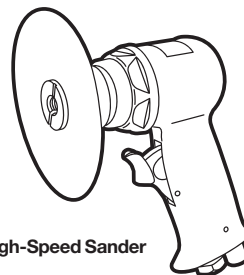
Suggested tool: _____



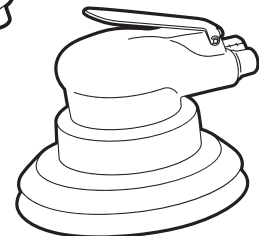
Belt Sander



Angle Sander



High-Speed Sander



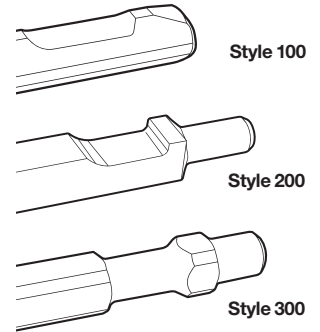
Palm Sander

Pneumatic Tool Qualification Questionnaire

Company Name: _____ Current Customer New Customer
 Contact: _____ Phone: _____ Distributor End User

For a **Scaling Hammer / Needle Scaler**, you need to know:

1. New Rebuilt
2. Chisel Type / Needle Type _____
3. Handle Type (Push Throttle / Lever / Gooseneck / Offset / Long Reach) _____
4. Chisel Shank (100 / 200 / 300) _____
5. Needle Size (2mm / 3mm / 4mm) _____
6. Number of Needles in Needle Set _____
7. Describe application and frequency of use _____
8. What tool does the customer currently use? _____
9. Preferred brand / Model No. _____

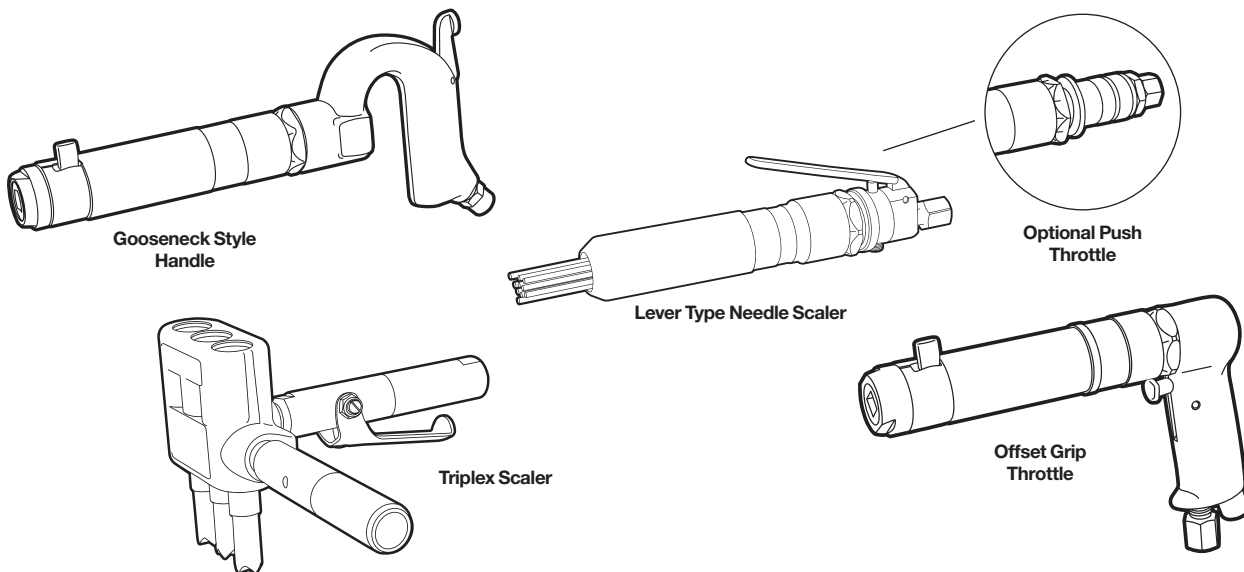


Suggested Accessories:

- OIL-085 Air Tool Oil
- O-R Air Line Lubricator
- Air Hose
- Whip Hose
- 360 Degree Swivel
- SLC1 Safety Lock Cables
- Extra Retainer Parts
- Replacement Needles
- Replacement Chisels
- Replacement Pistons (Triplex Scaler)
- Plugs / Couplers / CP Fittings
- Would you like a parts print with the tool?

Notes: _____

Suggested tool: _____



Pneumatic Tool Qualification Questionnaire

Company Name: _____ Current Customer New Customer
Contact: _____ Phone: _____ Distributor End User

For a **Screwdriver**, you need to know:

1. New Rebuilt
2. Configuration of Tool (Pistol / Inline) _____
3. Stall Drive / Positive Clutch / Adjustable Clutch / Auto Shut-Off _____
4. Required Torque _____
5. Reversible / Non-Reversible _____
6. RPM needed _____
7. Type of fastener and material to be fastened _____
8. Describe application and frequency of use _____
9. What tool does the customer currently use? _____
10. Preferred brand / Model No. _____

Suggested Accessories:

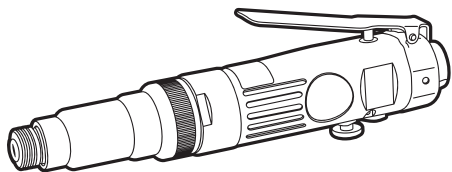
- OIL-085 Air Tool Oil
- Inline Oiler
- Air Hose: 1/4" & 3/8"
- Whip Hose
- Filter / Regulator / Lubricator
- Balancers
- Plugs / Couplers / CP Fittings
- Would you like a parts print with the tool?

Notes: _____

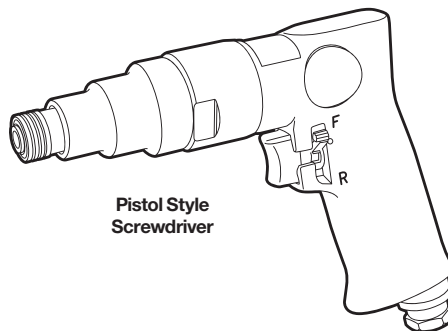
Suggested tool: _____

***KEEP IN MIND:**

A wide torque range (10 in.-lbs – 90 in.-lbs) requires 2 possibly 3 clutch springs. Tools with a close torque range (10 in.-lbs – 25 in.-lbs) have a better accuracy rating, and probably 1 clutch spring.



Inline Style
Screwdriver



Pistol Style
Screwdriver

Pneumatic Tool Qualification Questionnaire

Company Name: _____ Current Customer New Customer
 Contact: _____ Phone: _____ Distributor End User

For a **Tugger / Winch**, you need to know:

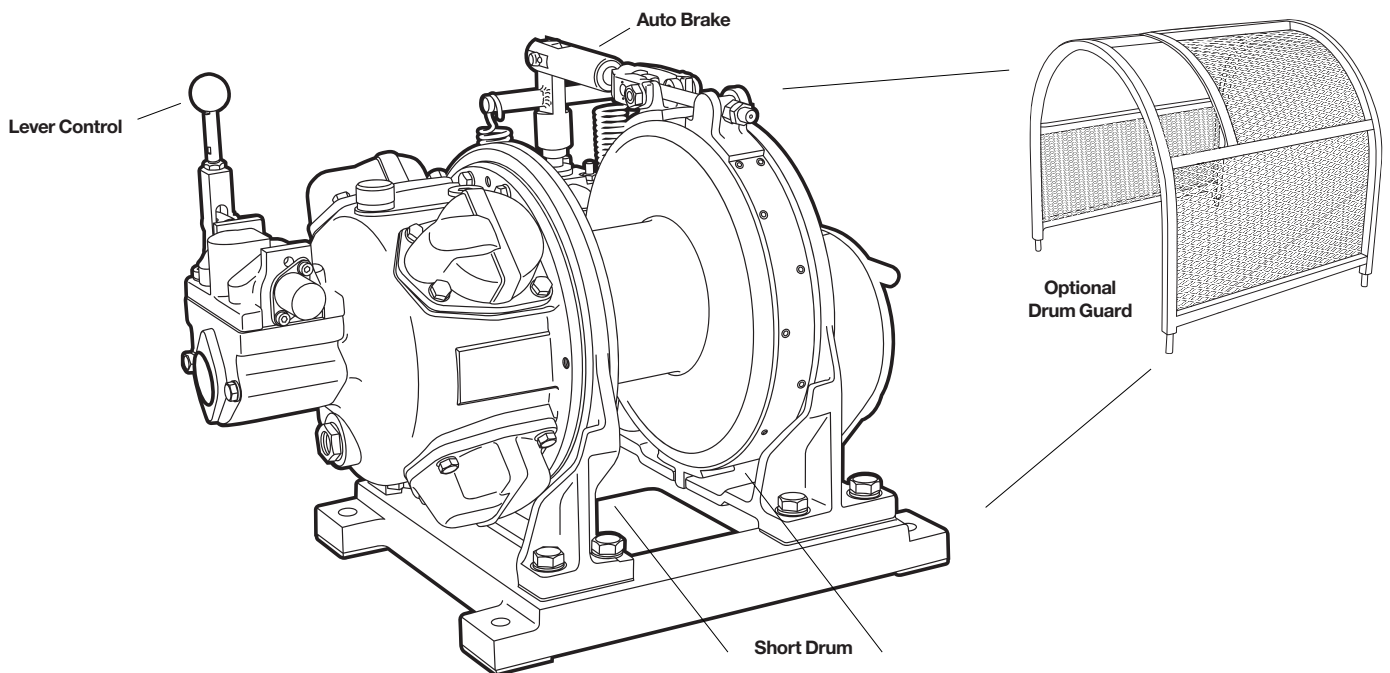
1. New Rebuilt
2. Capacity of Tugger (1100 lb / 2000 lb / 4400 lb / 6600 lb / 11000 lb / 22000 lb)
3. Long / Short Drum (*length of cable lift or pull in feet*) _____
4. Manual or Auto Brake _____
5. Drum Guard (Y / N) _____
6. Control Type (Lever / Pendant) _____
7. Special considerations _____
8. What tugger / winch does the customer currently use? _____
9. Preferred brand / Model No. _____

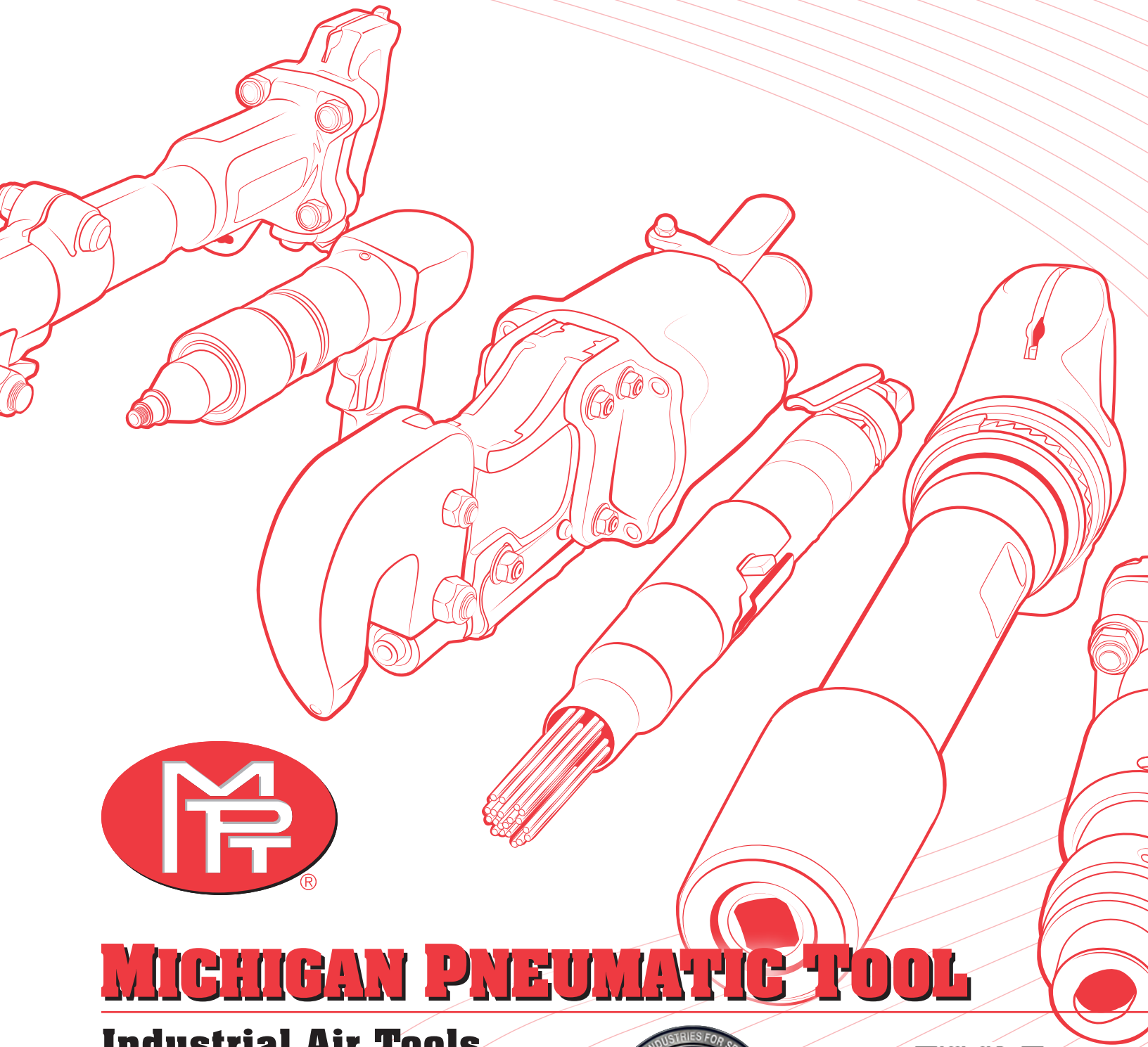
Suggested Accessories:

- Large Air Hose
- Large Air Filters
- Drum Guards
- Would you like a parts print with the tool?

Notes: _____

Suggested tool: _____





MICHIGAN PNEUMATIC TOOL

Industrial Air Tools

6850 Middlebelt Rd. • PO Box 906
Romulus, MI 48174-7406

© 2016 Michigan Pneumatic® Tool, Inc.

